

Hybrid Anchor System Installation and Use

GENERAL INFORMATION

The Pit Bull Hybrid Anchor System features up to a 6,000 lb. load rating while still offering quick-release capabilities for the ideal combination of strength and convenience.

INSTALLATION AND USE

First-time installation of floor plate:

1. Determine where you want to locate the floor plate. check the underside of that location to be sure it's accessible for mounting the washers and nuts.
2. Before drilling, consider which direction you are most likely to pull from so that you can orient the floor plate accordingly(see Figure 2). The hybrid anchor can be rotated 180 degrees and reinstalled to the floor plate for increased versatility.
3. Using the floor plate as a template, drill two 3/8" holes into the trailer floor.
4. Install hardware as shown in Figure 1. Be sure to install mushroom spacers flange-side up. Torque locknuts to 11 ft. lbs.

Regular use:

1. Anchor should be oriented as shown in Figure 3 for maximum load capacity.
2. Inspect the hybrid anchor before each use to ensure proper operation of the spring pin lock. Contact Pit Bull if you have any questions about serviceability.
3. Additional floor plate kits(p/n: F0103-001) may be purchased for added anchor locations.

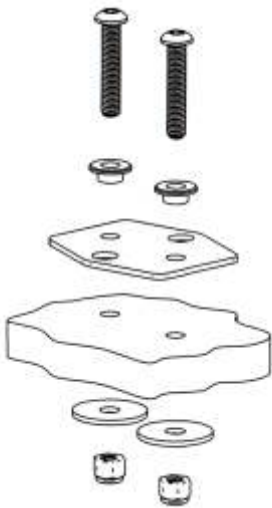


Figure 1.

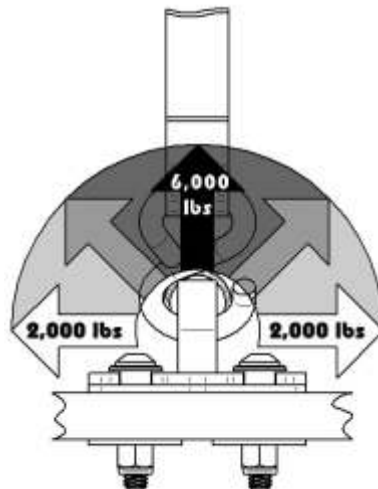


Figure 2.

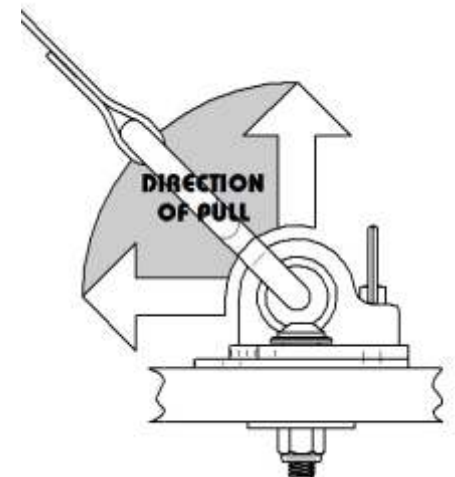


Figure 3.

WARNING:

1. Over-tightening the nuts can cause the floor plate to warp making it difficult to install/remove the anchor to/from the floor plate.
2. Contact with the pull ring by strap or hook can de-activate the spring pin lock causing anchor to de-mate from floor plate.

Pit Bull Products, Inc
614 Pearl Ave NW
Huntsville, AL 35801



Phone: 256-533-1977
Fax: 256-533-3395
Web: www.pit-bull.com
Email: info@pit-bull.com